

PRODUCT INFORMATION:

Thermal energy:	33,1 kWh
Energy efficiency:	74 %
CO%:	0,16 %
Heat storage capacity:	
	100 % after 1,7 hours
	50 % after 12,5 hours
	25 % after 22,1 hours

PRODUCT NUMBERS:

Product	Product number	Weight kg	Height mm
HELENE	1H	710	912
HELENE-1	1H-1	790	960

NEEDED FOR ASSEMBLY:

* Mortar 1 x 25 kg (not included in NunnaUuni delivery).

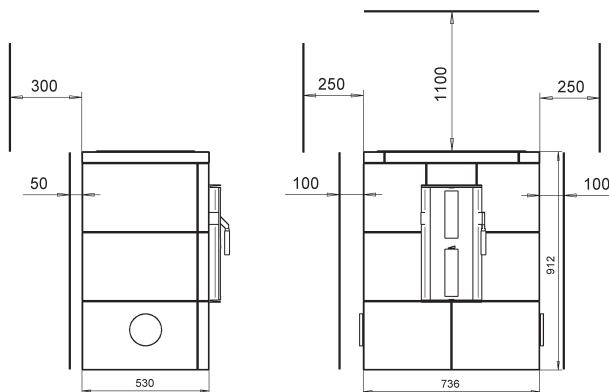
PRODUCT INFORMATION

	BAKING OVEN / BAKING SPACE		FIREWOOD			FLUE CALCULATION VALUES (1)				MAX. FLUE TEMPERATURE IN SECURITY TEST
	Width [mm]	Depth [mm]	Length [cm]	Max amount of wood [kg]	Length baking oven [cm]	Flue gas temperature [°C]	Min. flue draught [Pa]	Mass flow [g/s]	Flue connection Ø (min.)	Temperature °C
Helene	-	-	30	10	-	335	11,7	18	150	424

FLUE CONNECTION TABLE

	RECOMMENDED FLUE [mm]				FLUE CONNECTION MEASUREMENTS [mm]			INCOMING AIR		
	approx. 150x150	approx. 150x200	approx. 150x300	round Ø	[A]	[B]	[C]	Incoming air pipe location L [mm]	HRT	Burning air approx. m ³ /h
Helene	x	x	-	150-180	150-200	190	290	-	-	-

SAFETY DISTANCES TO COMBUSTIBLE MATERIALS



1) The flue calculation values apply for countries that require flue calculation in accordance with the DIN 18160 and DIN EN 13384 standards. It is recommendable to contact chimney sweeper beforehand.

Take a notice of the countryspecific approvals in section 3

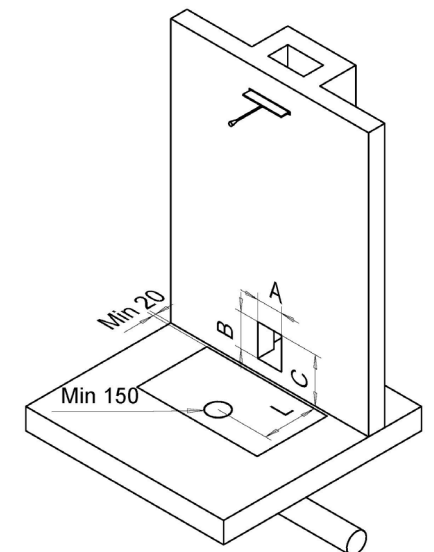
NOTES!

The flue heat category required by the fireplace is T600.

The recommended minimum flue height is 5 m. In countries where the flue calculation is required, should the calculation be done according to the instructions and regulations of the flue calculation.

A damper designed for adjusting the draft is always recommended for a flue connection or flue. In the picture you can see the Finnish version.

Country- and region-specific regulations must be adhered to when installing the fireplace



NunnaUuni Oy reserves the right to make alterations